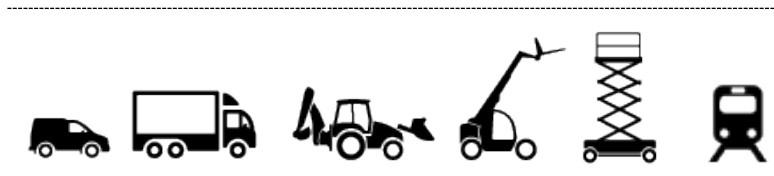


Short guide

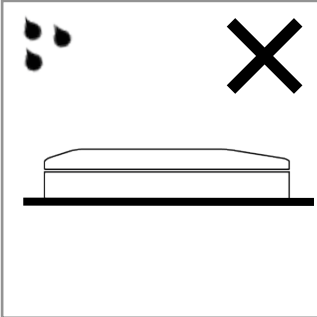
Trackunit 401 SmartID  

Version 1.4, June 2014

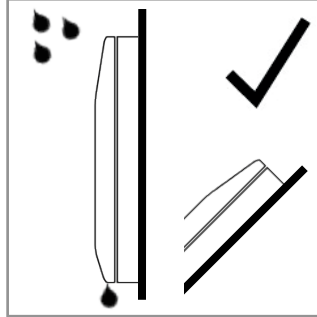


Mounting instructions

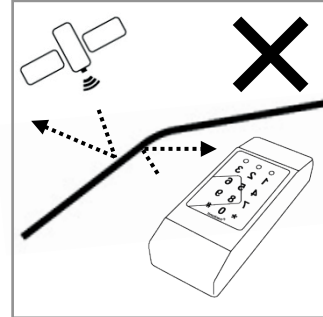
Placement of the unit on the machine



Do NOT mount the unit horizontally.

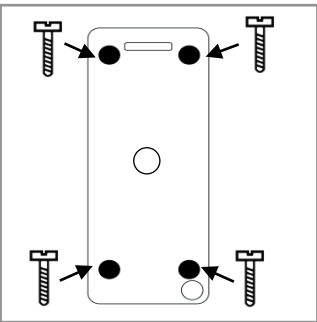


Make sure that water can run off the unit.

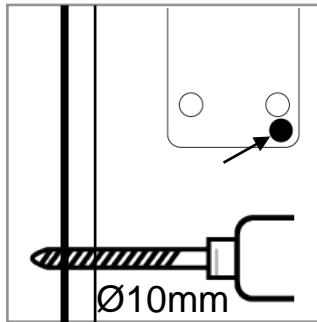


Do NOT install the unit directly under a layer of metal or next to wires.

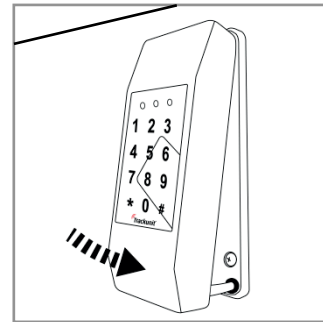
Mounting and activating the unit



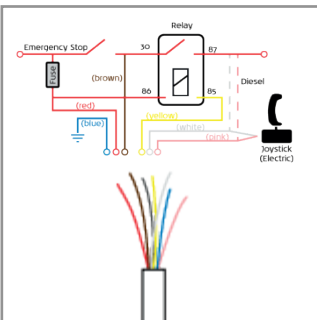
1. Mount the bracket on the machine using 4 screws.



2. Drill a hole for the unit cable and drag the cable through the hole.



3. Click the SmartID into the bracket starting at the top. A click is felt when pressing the bottom part of the SmartID firmly in place.

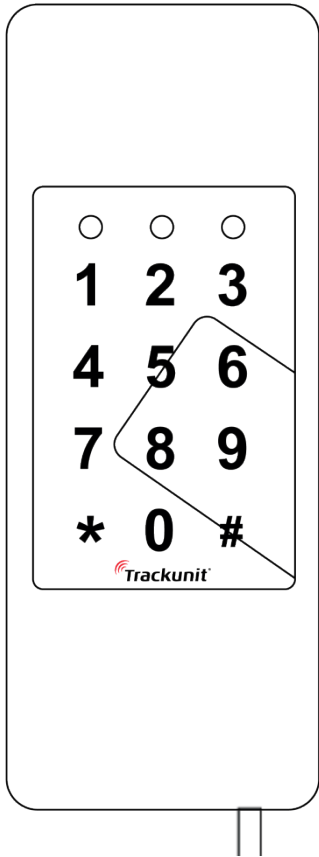


4. Connect the wires according to the table on page 3.

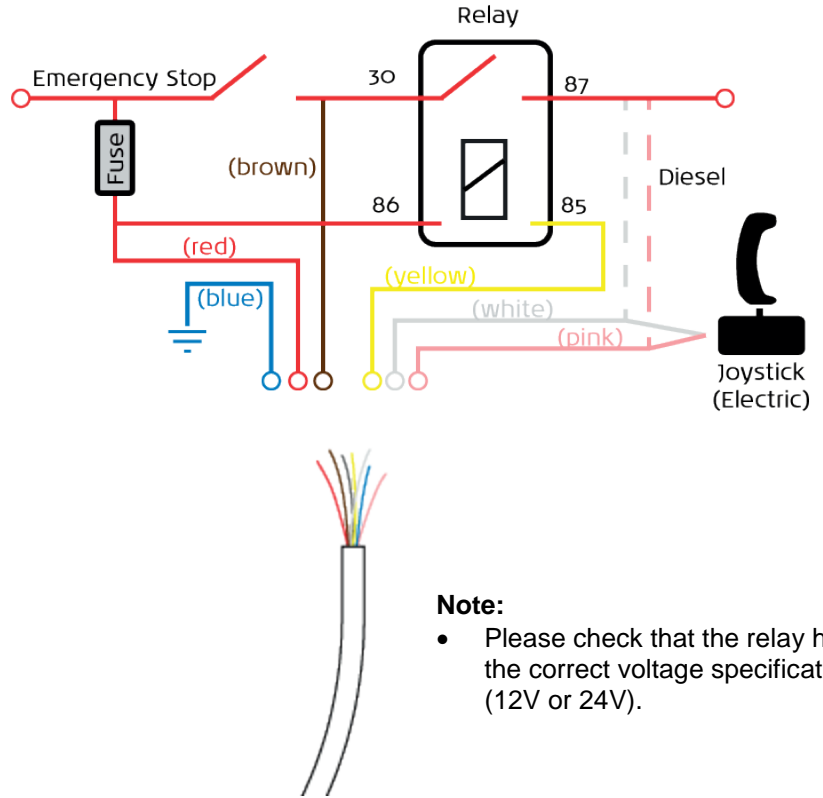


5. Activate key pin or RFID card online:
<http://manager.trackunit.com>

Installation of the SmartID in machinery



Example showing installation in a platform lift:



Note:

- Please check that the relay has the correct voltage specification (12V or 24V).

Guidelines for correct wiring:

Disconnect the power supply during installation.

Wire color	Connection	Description
Blue	Ground	Ground
White	Digital input 1	Operating hours counter input ¹ • Electric lifts: Joystick (activity at joystick-button) ² • Diesel lifts: Machine running (Relay 87) • Other machinery: hour counter
Brown	Digital input 2	Ignition signal input Connect to emergency switch (or Relay 30) ¹
Grey	Digital Input 3	General input
Pink	Digital input 4	Activity resets the Key expiration timer, when using Boom sensor ¹ • Electric lifts: Joystick (activity at joystick-button) • Diesel lifts: Machine running (Relay 87) • Other machinery: not required ³
Yellow	Digital output 1	Output activates ground for relay (85)
Red	Power	Connect to permanent 12/24V supply through a 1A fuse

¹ Min. 8V DC voltage at input

² If signal is missing please call Trackunit Support for alternative setup

³ Input filtering is found on page 4

Verification of installation status with SMS Commands:

Verification	Send SMS	Return SMS from unit
<p>GPS and GSM signal GSM number and unit serial number is located on the carton box. Label can be peeled off and saved for later use.</p>	<p>MT SIGNAL</p>	<p>MTC ACK (SERIAL No.) SIGNAL: GSM=22, SAT=8, SN=44</p> <p>Poor Good Excellent</p> <p>GSM: Signal strength:</p> <p>0-10 → 11-20 → 21-31</p> <p>SAT: Number of satellites:</p> <p>0-3 → 4-5 → 6-</p> <p>SN: GPS signal quality:</p> <p>0-27 → 28-34 → 35-</p>
<p>Inputs NOTE: This command can be sent to the unit under various operational conditions like: Machine running, ignition only or off.</p>	<p>MT STAT</p>	<p>MTC ACK (SERIAL No.) INPUT STATUS: INPUT1 LOW, INPUT2 HIGH, INPUT3 LOW, INPUT4 LOW, CHARGE VOLTAGE ON, SERIAL No.</p> <p>NOTE: Input LOW < 8V < input HIGH</p>

Activation of input filtering

Function	Send SMS	Return-SMS from the unit
<p>Activate filter function on inputs</p>	<p>MT INFILT ON</p>	<p>MTC ACK (SERIAL No.) INFILT ON</p>

NOTE:

Enabling the filtering function will disable the use of the alarm function on digital input 4.

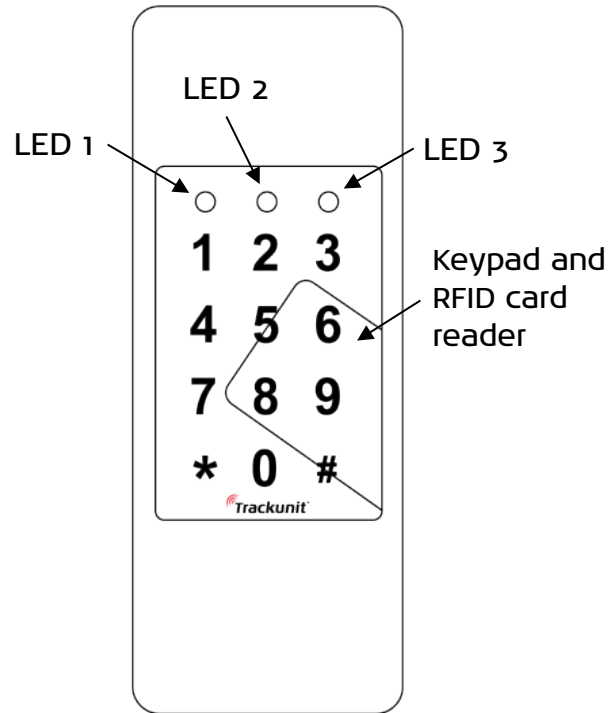
User guide

Using key pad:

1. Type pin code
2. Confirm with #
3. Green light in LED3 indicates authorized ID
Begin operation.

Using RFID card:

1. Present card in front of reader
2. A beep signal indicates card is read ok
3. Green light in LED3 indicates authorized ID
Begin operation.



Info:

- Yellow light in LED1 indicates the unit has power
- Cancel key input with * (start again)
- Red light in LED3 when input is cancelled
- There is a 10 sec. time out for pin input
- Don't use RFID card and pin simultaneously
- Bring your RFID card or pin code with you in the machine
- LED2 is not in use

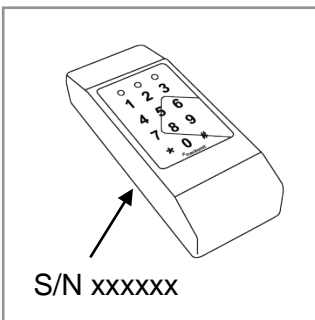
LED indications

	LED 1	LED 2	LED 3
Yellow	Power	-	-
Green	-	-	ID ok
Red	-	-	ID cancel

Important!

Activate your key pin and RFID card in the Trackunit Manager before operating machine or vehicle.

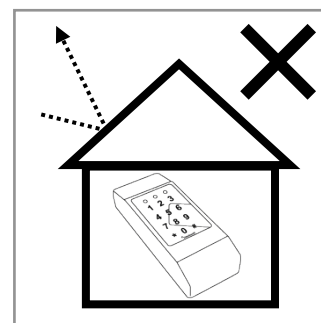
Practical advice



Serial number located on the back of the unit.

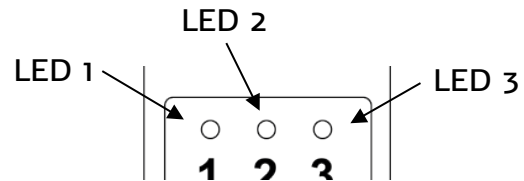


GSM number and unit serial number is located on the box. Label can be peeled off and saved for later use.



Do NOT perform installation inside a building.

Troubleshooting



Error description	Possible solutions
No reply on SMS command	<ul style="list-style-type: none"> Verify correct GSM number
No light in LED 1	<ul style="list-style-type: none"> Check if red wire and blue wire are installed correctly or if fuse is blown

Product specifications

The Trackunit 401 SmartID is a GSM/GPRS quad-band-unit with GPS, integrated antennas and backup battery.

Connections	
Operational voltage (supply voltage):	12 - 24 V DC
Absolute maximum voltage range:	8 - 50 V DC

Temperature range	
Operating	-30°C to +60°C
Storage	-40°C to +70°C

Mechanical specifications	
Environmental class	IP67

Technical Assistance

If you have a problem and cannot find the information you need in the product documentation, please contact Trackunit A/S

Trackunit A/S
 Industrivej 10
 DK-9490 Pandrup
 Tel: +45 96 73 74 00 E-mail: support@trackunit.com
 Fax: +45 96 73 74 07 Web: www.trackunit.com

Trackunit
 technical
 documentation



NOTE: When contacting technical support, please have the unit serial number ready.